



TESTING & ANALYSIS

NEWSLETTER—SUMMER, 2023

The 6D Difference

Six DoF Testing and Analysis (6D) provides answers to mechanical engineering challenges throughout all phases of the product lifecycle. From upstream design validation to field testing, troubleshooting and next generation product development we help our customers achieve measurable improvements to product innovation, quality, reliability, and performance.

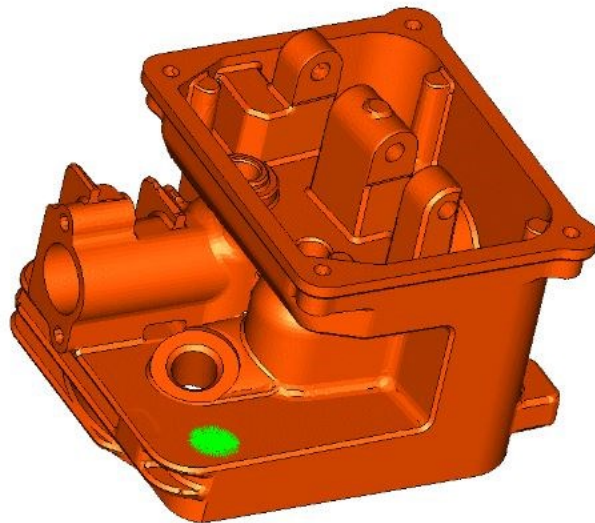
Digital 3D Analysis Models: How much detail is needed?

Creating digital models is as much an art as it is a science. The challenge lies in the level of detail.

Because today's products are a complex construction of assemblies, sub-assemblies, and components, an exact replica of the product is neither practical nor cost-effective.

But what level of detail is too much or too little?

Based on our experience, Six D offers recommendations for constructing 3D digital models.



[Read it Here](#)



Motion Amplification Videos

Data collection, testing, and field troubleshooting are constantly evolving to take advantage of new tools and technologies.

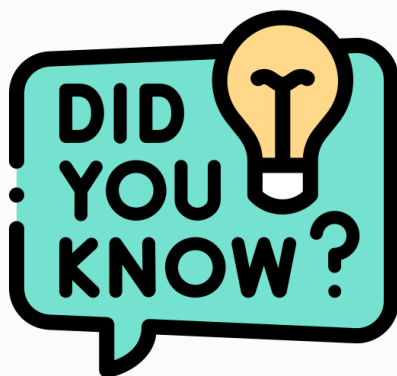
Today, data can be recorded and uploaded to the cloud or access via wireless devices. Simply put, collection no longer requires engineers and technicians to be physically on-site.

Read About it [Here](#)

Rob Vickers

We are saddened to announce the passing of our Sr. Project Engineer, Rob Vickers. Traveling to jobs across town or across the globe, Rob was with the company since its early days. He formed deep friendships throughout the company and with many of you. And with every job he brought the attention to service and detail that each of our customers have come to expect.

Please consider making a donation in Rob's memory to support cancer research.



Did you know that senior 6D management pioneered testing and analysis methods and technologies that are now standard throughout the industry?

[Read our Story](#)

Read and watch our latest company news and get a few practical tech tips along the way. Follow the links below to check us out!

[LinkedIn](#) or [YouTube](#)

WWW.SIXDTEST.COM